

VFusion is the new revolutionary hand dryer that executes its function in two different speeds thanks to its configuration in TURBO or ECO mode. Our VFusion works with an automatic sensor (VELTIA Laser Eye) and it provides a very fast hands-drying process, lasting 6 seconds, with the fastest option.

VFusion has also two type of nozzles:

- **Multi-Jet**, allowing with multiple holes to get the air spread and getting a feeling of a massage in the hand.
- **Blade**, having a gap in the middle of the outlet air and allowing getting the air focused in one zone of the hand.

In addition to its efficiency, VFusion includes a bad odor omission system: VELTIA Zeromell®. It works together with Hepa Filter H13 (total retention ≥99,97%). Both, VELTIA Zeromell and Hepa Filter are changeable every 90 days.

VFusion is very suitable not only for public restrooms but also for hotel rooms being the perfect substitute of towels. VFusion can be installed in private bathrooms of hotel rooms, as both air outlets are patented with the ADS (Acoustin Dampening System), producing a quiet sound, similar to a hair dryer.

Patent Hand dryer

MATERIALS

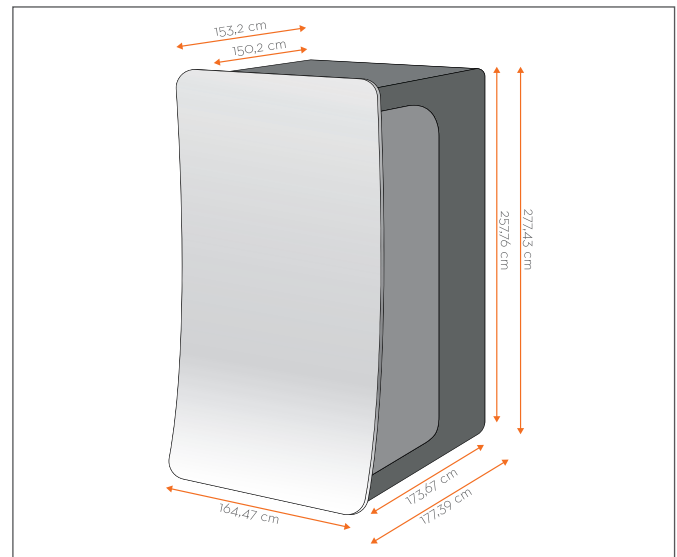
Back plate, Rear housing, Motor front cover, Front housing, both Multi-Jet and Blade disks and the Filter tray are made of ABS flame retardant. The sensor windows are of PC and the front covers of different colors are made of ABS polymer.

Internal parts are made of fire retardant plastic rated 5VA according to directive UL94.

VELTIA complies with the following directives: ROHS (Restriction of Hazardous Substances) and RAEE (Collection of electrical and electronic equipment and waste management).

All plastic pieces are properly prepared for recycling.

DIMENSIONS



CERTIFICATIONS

CE Conformity Declaration (*)

(*) According to European Directives: Low Voltage Directive (LVD)

D 2014/35/ UE

D 2014/30/ UE

Electromagnetic Compatibility Directive (EMC):

UNE-EN 60204-1 2007+cORR:2010

UNE-EN 61000-3-2:2014

UNE-EN 61000-3-3:2013

UNE-EN 61000-6-1:2007+A1:2012 (IEC 61 000-6-1_2005) EMC

UNE-EN 61000-6-3:2007+A1:2012 (IEC 61 000-6-3:2005) EMC

TECHNICAL, ENVIRONMENTAL AND MECHANICAL SPECIFICATIONS

MODEL VOLTAGE: 220/230/240V	TURBO		ECO	
	BLADE	MULTIJET	BLADE	MULTIJET
Size	164,47*177,39*277,43			
Weight	3 kg			
Frequency	50/60Hz			
Power Consumption	833W	828W	647W	600W
Current (when running)	3,80Amps		2,70Amps	
Electrical Isolation	Class I			
Air Speed (km/h)	362	452	222	360
Drying Time	6-8 secs	8-10 secs	8-10 secs	10-12 secs
IP Code	IP22 C			
Noise dB	71 dB	68 dB	66 dB	66 dB
Number of Motors	1			
Motors Speed	30.000rpm		21.000rpm	
Driving System	Soft Starting			
Hands detection system	Laser Sensor			

MODEL VOLTAGE: 110/120V	TURBO		ECO	
	BLADE	MULTIJET	BLADE	MULTIJET
Size	164,47*177,39*277,43			
Weight	3 kg			
Frequency	50/60Hz			
Power Consumption	833W	828W	647W	600W
Current (when running)	8 Amps		5,65 Amps	
Electrical Isolation	Class I			
Air Speed (km/h)	362	452	222	360
Drying Time	6-8 secs	8-10 secs	8-10 secs	10-12 secs
IP Code	IP22 C			
Noise dB	71 dB	68 dB	66 dB	66 dB
Number of Motors	1			
Motors Speed	30.000rpm		21.000rpm	
Driving System	Soft Starting			
Hands detection system	Laser Sensor			



